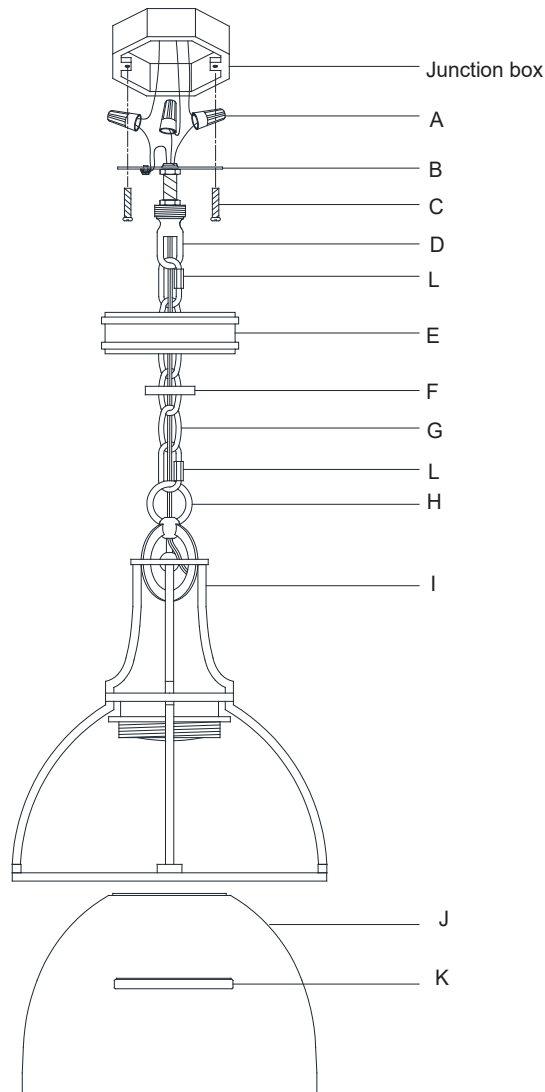


## ASSEMBLY INSTRUCTIONS



### Gracie Large Dome Pendant

Item # CHC5482

**WE RECOMMEND INSTALLATION OF THIS LIGHTING FIXTURE BE DONE BY A LICENSED ELECTRICIAN.**

**WARNING\*\*\*SWITCH OFF THE MAIN ELECTRICAL SUPPLY FROM THE MAIN FUSE BOX/CIRCUIT BREAKER BEFORE INSTALLATION.**

**INSPECT ITEM CAREFULLY BEFORE ATTEMPTING TO INSTALL. IF THERE IS ANY DAMAGE OR OBVIOUS DEFECT. DO NOT INSTALL.**

**ITEM MAY NOT BE RETURNED ONCE IT HAS BEEN INSTALLED.**

**NOTE: CAREFULLY UNPACK EACH PIECE IN TOP LAYER OF PACKING PRIOR TO REMOVING. RETAIN ALL PACKING MATERIAL UNTIL INSPECTION AND INSTALLATION ARE FINAL.**

1. Carefully remove all parts from the box.
2. Remove the collar loop (D) from the chain (G) by unscrewing the quick link (L).
3. Install the mounting plate (B) and collar loop (D) to the junction box with mounting screws (C) provided. Using a wrench (not provided) secure the mounting plate (B) and collar loop (D) to the threaded nipple using provided hex nuts.
4. Install the canopy (E) to collar loop (D) and secure with collar ring (F). If needed, adjust canopy (E) height by loosening hex nuts and screwing collar loop (D) up or down then re-secure.
5. Install the glass shade (J) to the fixture body and secure with the metal ring (K).
6. With the fixture desired height, shorten the chain (G) as needed using the chain pliers (not included).
7. Open the chain quick link (L), then attach the chain quick link (L) to the collar loop (D). Secure the chain quick link (L).
8. Open the chain quick link (L) from the opposite side then attach to the fixture loop (H). Secure the chain quick link (L).
9. Weave the fixture wires through the chain (H).
10. When you reach the canopy (E) and collar loop (D), measure the wires then cut, be certain to leave enough length to connect the wires in the junction box.
11. Strip the insulation on the fixture wires about 5/8".
12. Loosen the collar ring (F) and let the canopy (E) slip down the chain (G) carefully.

