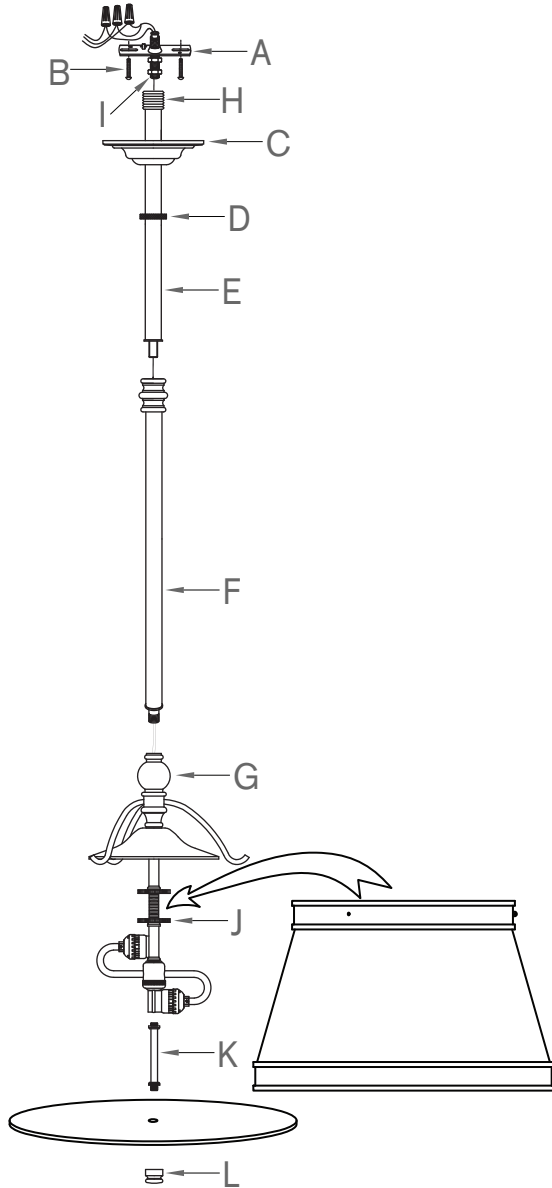


CHC5101 ASSEMBLY & INSTALLATION GUIDE



WE RECOMMEND INSTALLATION OF THIS LIGHTING FIXTURE BE DONE BY A LICENSED ELECTRICIAN.

WARNING * SWITCH OFF THE MAIN ELECTRICAL SUPPLY FROM THE MAIN FUSE BOX/CIRCUIT BREAKER BEFORE INSTALLATION.**

INSPECT ITEM CAREFULLY BEFORE ATTEMPTING TO INSTALL. IF THERE IS ANY DAMAGE OR OBVIOUS DEFECT, DO NOT INSTALL.

ITEM MAY NOT BE RETURNED ONCE IT HAS BEEN INSTALLED.

1. Carefully remove all parts from the carton.
2. Remove white plastic bushing from bottom opening of pole (F) and (E) before assembling.
3. Screw the nipple of pole (F) into top opening of part (G) and screw pole (E) into top opening of pole (F).
4. Unscrewing canopy ring (D) and slide canopy ring (D) and canopy (C) on pole (E).
5. Feed wire through connection rod (F)/ (E) and mounting loop (H).
6. Attach mounting strap (A) to ceiling outlet box and secure with mounting screws (B).
7. Insert top thread nipple (I) in mounting strap (A).
8. Attach mounting loop (H) to thread nipple (I).
9. Attach the bare copper ground from the fixture to the ground junction box wire (usually green or copper), fasten together with a plastic wire connector. Tightly wrap the wire connector with electrical tape. Be sure no wire strands are exposed. IT IS IMPERATIVE THAT THE OUTLET BOX IN YOUR HOME BE PROPERLY GROUNDED.
10. Connect neutral wire from fixture (ridges molded wire) to the neutral wire from the junction box (usually white) . Fasten both wires together with a plastic wire connector and tightly wrap the wire connctor with electrical tape. Be sure no wire strands are exposed.
11. Connect the hot wire from the fixture (smooth wire) to the hot wire (usually black) from the junction box. Fasten each together with a plastic wire connctor and wrap the connection with electrical tape. DO NOT REVERSE THE HOT AND NEUTRAL CONNECTIONS OTHERWISE SAFETY WILL BE COMPROMISED.
12. Tuck the wire connections neatly into the ceiling outlet box.
13. Slip canopy (C) to ceiling and secure with canopy ring (D).
14. Fit shade (not included) on threaded section of rod between ring (J) and secure with ring (J).
15. Place diffuser (not included) to bottom nipple of rod (K), secure with cap nut (L).
16. Insert light bulbs (not included) into sockets.
17. Installation is complete. Restore power and test fixture.

*** Clean with a dry, soft cloth only. Use no harsh abrasives or chemical agents.